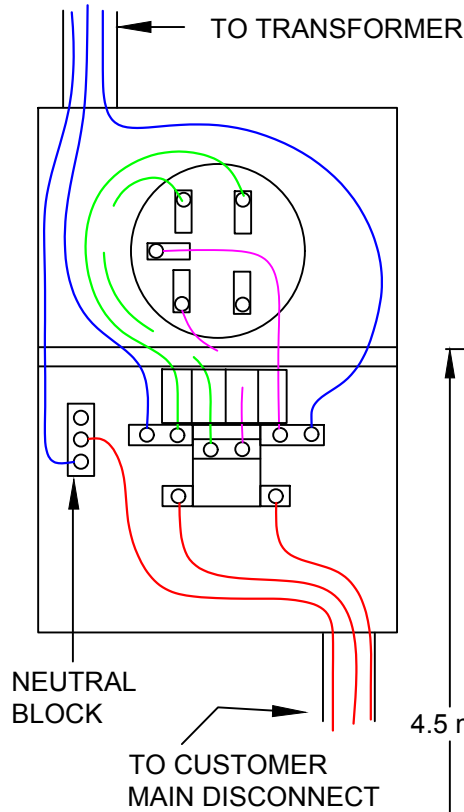


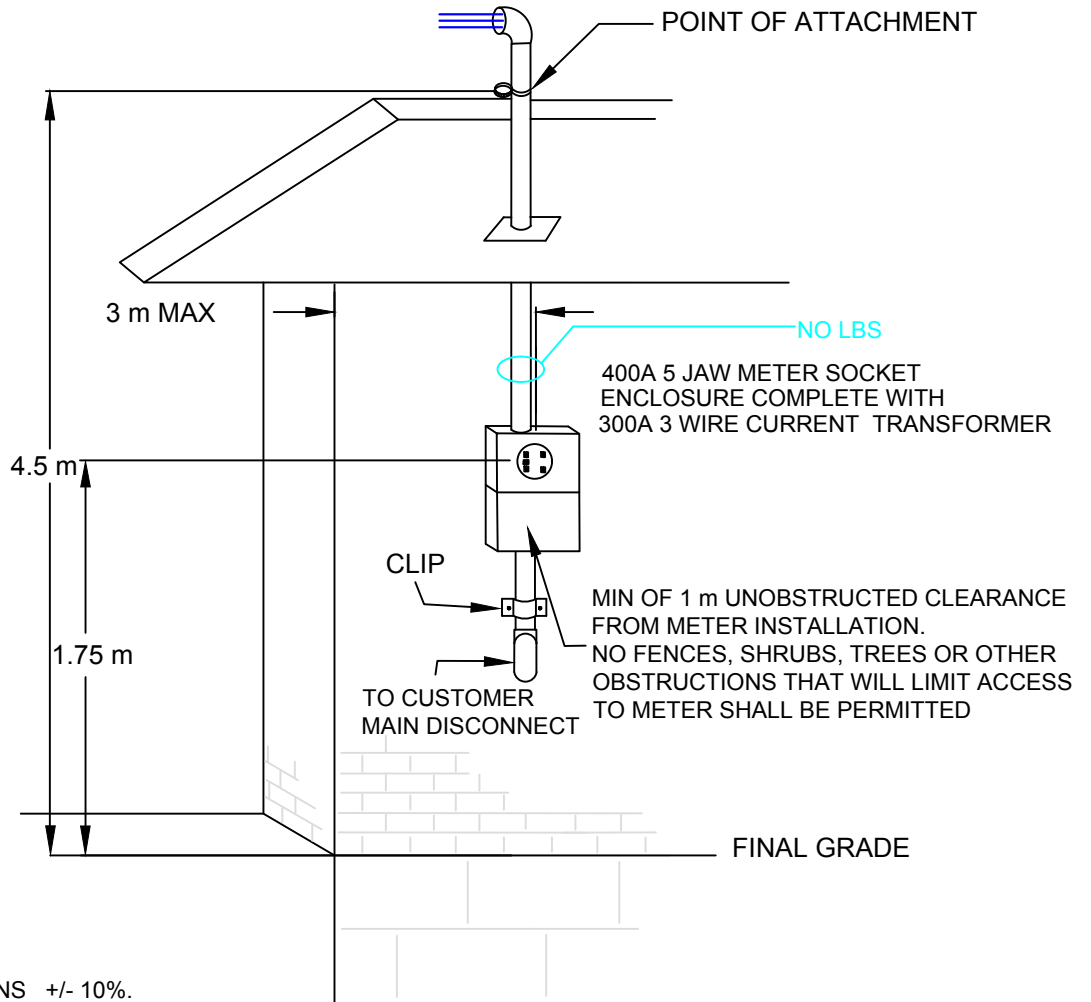
OSHAWA PUC NETWORKS INC. DISTRIBUTION STANDARDS

RESIDENTIAL & SMALL COMMERCIAL 400A OVERHEAD ELECTRICAL
SERVICE & METER SOCKET
SINGLE PHASE, 3 WIRE 120/240V

12-011



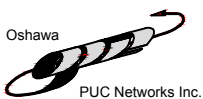
OPUCN APPROVED METER SOCKET TYPES			
	MANUFACTURER		
	MICROELECTRIC	HYDEL	CUTLER-HAMMER
400A Service	*JS4B-300/5	CT4-3	*TCC 5-3
* Without automatic by-pass			



NOTES:

1. TOLERANCE ON DIMENSIONS +/- 10%.
2. THE METER SOCKET MUST BE MOUNTED ON AN OUTSIDE WALL AT A LOCATION APPROVED BY OPUCN METER DEPARTMENT TO CO-ORDINATE WITH DISTRIBUTION ON THE STREET.
3. ELECTRICAL SERVICE SHALL MEET ALL ESA INSPECTION STANDARDS AND SHALL BE INSPECTED BY ESA BEFORE CONNECTION TO THE DISTRIBUTION SYSTEM.
4. REFER TO "OPUCN APPROVED METER SOCKET TYPES" FOR SOCKET REQUIREMENTS.
5. MINIMUM 1m CLEARANCE IS REQUIRED BETWEEN THE GAS METER/RELIEF VENT AND THE ELECTRIC METER SOCKET.
6. EACH METER SOCKET POSITION REQUIRES PERMANENT AND LEGIBLE LAMACOID LABEL UNIT IDENTIFICATION.
7. NO LB, LC, LR ON LINE SIDE

CONVERSION TABLE	
METRIC	IMPERIAL (APPROX.)
1 m	3'-3"
1.75 m	5'-8"
3 m	10'-0"
4.5 m	15'-0"



DRAWN: KAB	CKD:	APP:
DATE: MAY 10, 2017	SCALE: NTS	REV: 1