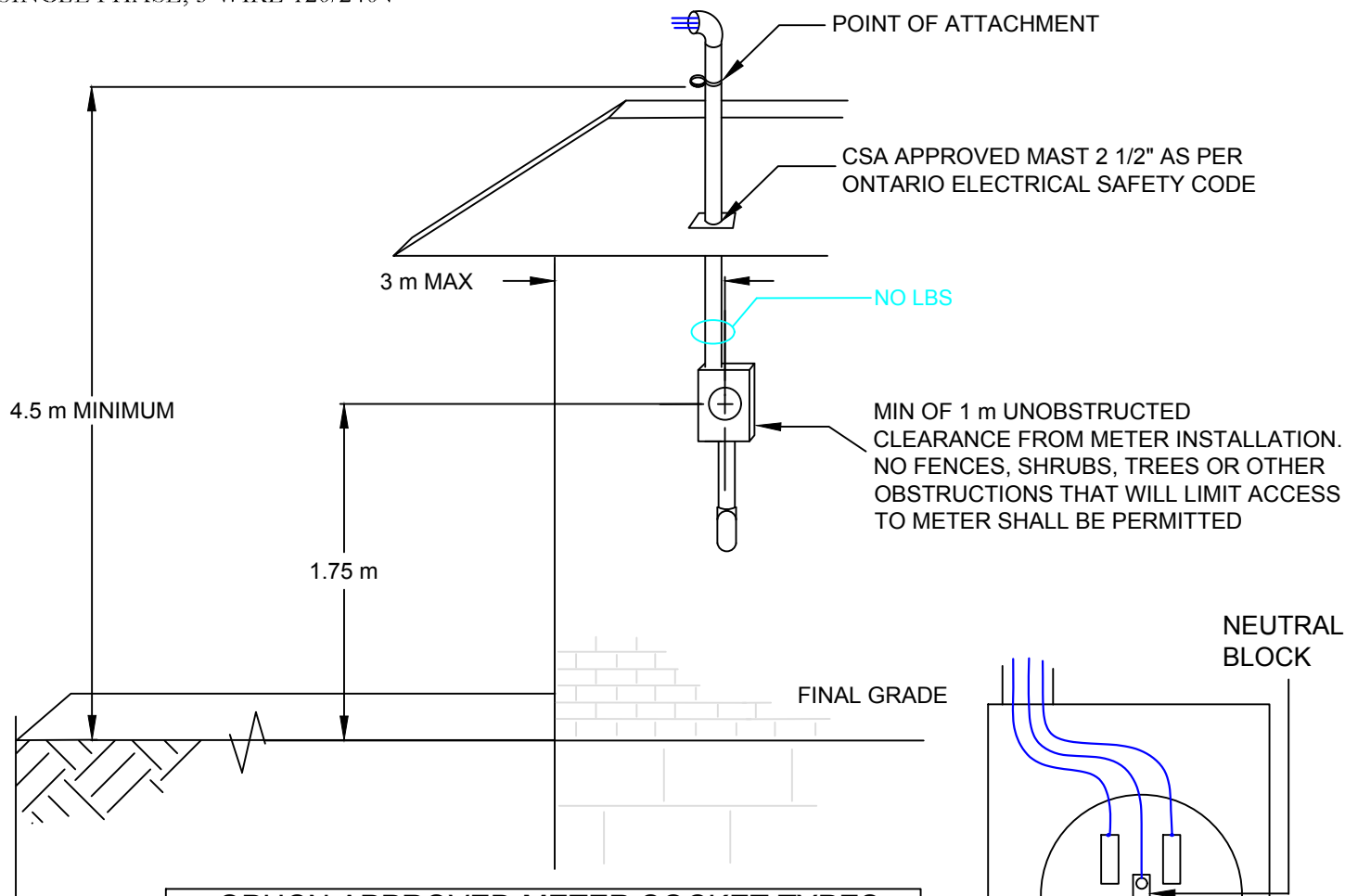


# OSHAWA PUC NETWORKS INC. DISTRIBUTION STANDARDS

RESIDENTIAL OVERHEAD ELECTRICAL SERVICE & METER SOCKET  
SINGLE PHASE, 3 WIRE 120/240V

12-003

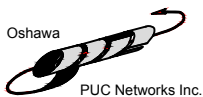


OPUCN APPROVED METER SOCKET TYPES			
	MANUFACTURER		
	MICROELECTRIC	HYDEL	CUTLER-HAMMER
APPROVED METER SOCKETS	* BS2-TV	*SLC400RW /E400RO	*LU2
*COMPLETE WITH MECHANICAL LUGS			

**NOTES:**

1. TOLERANCE ON DIMENSIONS +/- 10%.
2. THE METER SOCKET MUST BE MOUNTED ON AN OUTSIDE WALL AT A LOCATION APPROVED BY OPUCN METER DEPARTMENT TO CO-ORDINATE WITH DISTRIBUTION ON THE STREET.
3. ELECTRICAL SERVICE SHALL MEET ALL ESA INSPECTION STANDARDS AND SHALL BE INSPECTED BY ESA BEFORE CONNECTION TO THE DISTRIBUTION SYSTEM.
4. REFER TO "OPUCN APPROVED METER SOCKET TYPES" FOR SOCKET REQUIREMENTS.
5. NO LB, LL OR LR FITTINGS ON THE LINE SIDE (AHEAD OF) THE METER BASE.
6. MINIMUM 1M CLEARANCE IS REQUIRED BETWEEN THE GAS METER/RELIEF VENT AND THE ELECTRIC METER SOCKET.

CONVERSION TABLE	
METRIC	IMPERIAL (APPROX.)
1m	3'-3"
1.75m	5'-8"
3m	10'-0"
4.5m	15'-0"



DRAWN: KAB

CKD:

APP:

DATE: MAY 10, 2017

SCALE: NTS

REV: 1