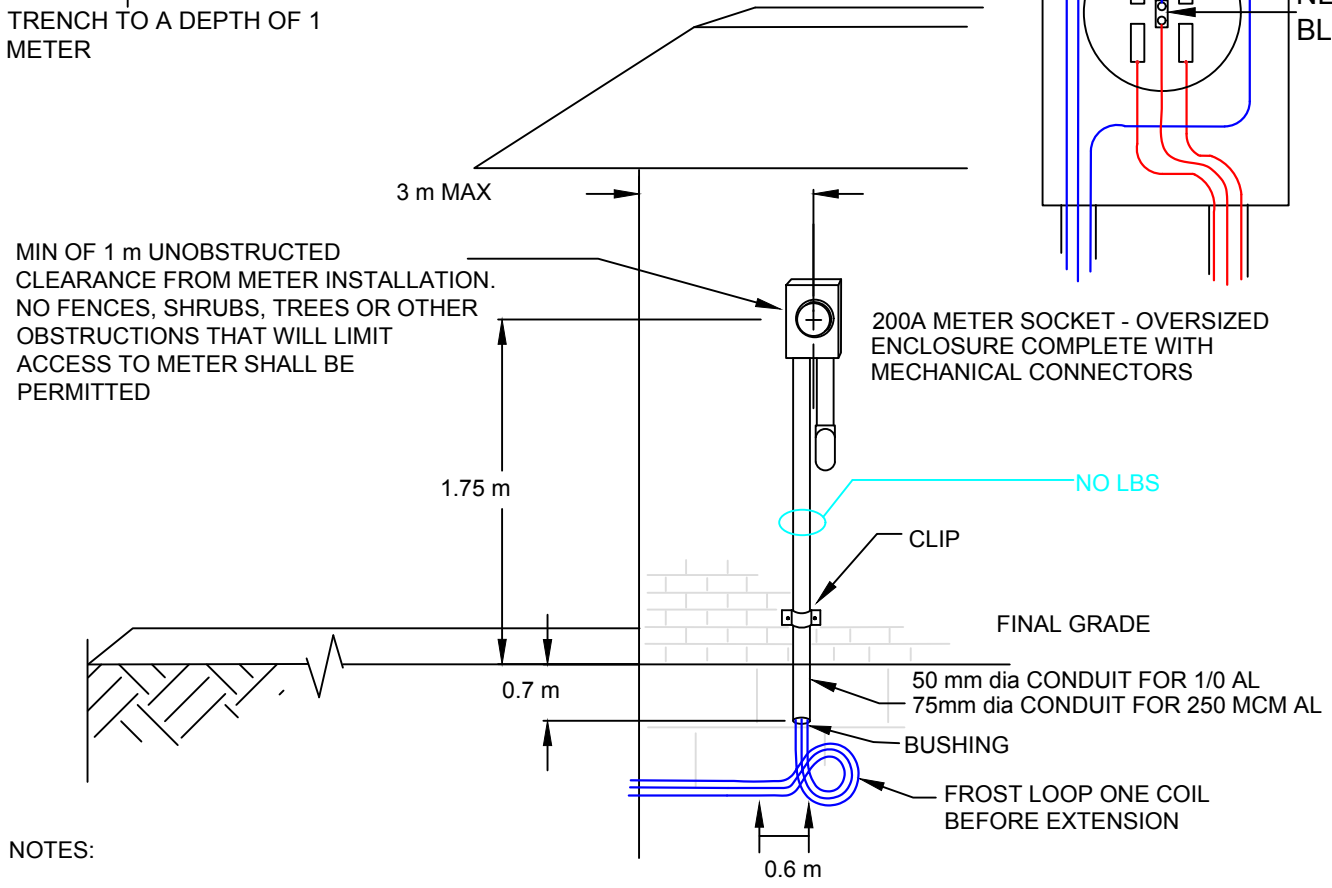
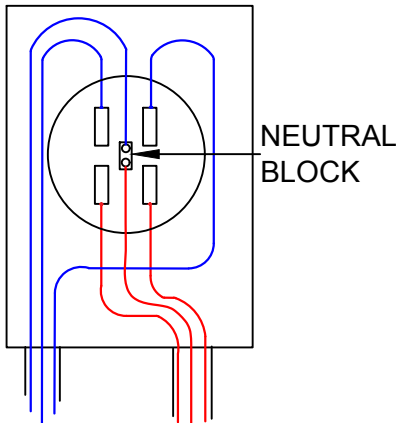
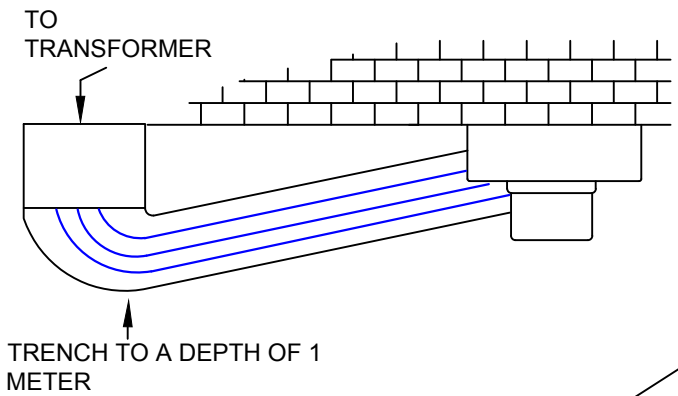


OSHAWA PUC NETWORKS INC. DISTRIBUTION STANDARDS

RESIDENTIAL UNDERGROUND ELECTRICAL SERVICE & METER SOCKET
SINGLE-PHASE, 3 WIRE, 240V

12-001

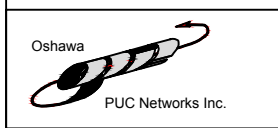
OPUCN APPROVED METER SOCKET TYPES			
	MANUFACTURER		
	MICROELECTRIC	HYDEL	CUTLER-HAMMER
APPROVED METER SOCKETS	* BS2-TV	*SLC400RW /E400RO	*LU2
*COMPLETE WITH MECHANICAL LUGS			



NOTES:

1. TOLERANCE ON DIMENSIONS +/- 10%.
2. THE METER SOCKET MUST BE MOUNTED ON AN OUTSIDE WALL AT A LOCATION APPROVED BY OPUCN METER DEPARTMENT
3. ELECTRICAL SERVICE SHALL MEET ALL ESA INSPECTION STANDARDS AND SHALL BE INSPECTED BY ESA BEFORE CONNECTION TO THE DISTRIBUTION SYSTEM.
4. REFER TO "OPUCN APPROVED METER SOCKET TYPES" FOR SOCKET REQUIREMENTS.
5. THE CUSTOMER SHALL EXPOSE, TO A DEPTH OF 1m THE AREA BETWEEN THE METER BASE LOCATE AND THE END OF THE DUCT TO ALLOW FOR PULLING OF SECONDARY CABLE AND INSTALLATION OF FROST LOOP. THE CUSTOMER WILL PLACE 1 FOOT OF SAND OVER THE FIRST LOOP AFTER WORK IS DONE.
6. MINIMUM 1m CLEARANCE IS REQUIRED BETWEEN THE GAS METER/RELIEF VENT AND THE ELECTRIC METER SOCKET.

CONVERSION TABLE	
METRIC	IMPERIAL (APPROX.)
50mm	0'-2"
0.3m	1'-0"
1m	3'-3"
1.75m	5'-8"
3m	10'-0"



DRAWN: KAB	CKD:	APP:
DATE: MAY 8, 2017	SCALE: NTS	REV: 1